

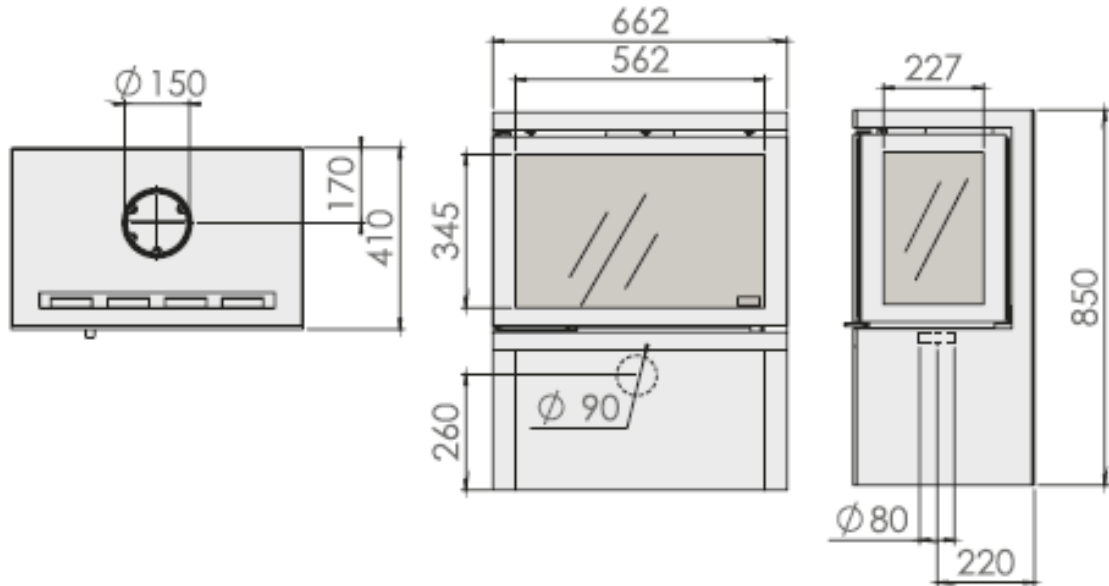
Vidar Triple

The Vidar Triple has glass on three sides which creates an optimum flame picture. To attain as high an efficiency rating as possible this model is equipped with heat reflective infra-red glass. There is log storage space under the stove. The model's functional design makes it a typical DG Fires stove.



- W x H x D: 622 x 850 x 410
- Max Capacity: 6-9kW
- Heatable Area: 330m³
- Outlet Ø: 150mm
- Weight: 162kg
- Fuel: Wood
- Colour Option: Anthracite





Vidar Triple